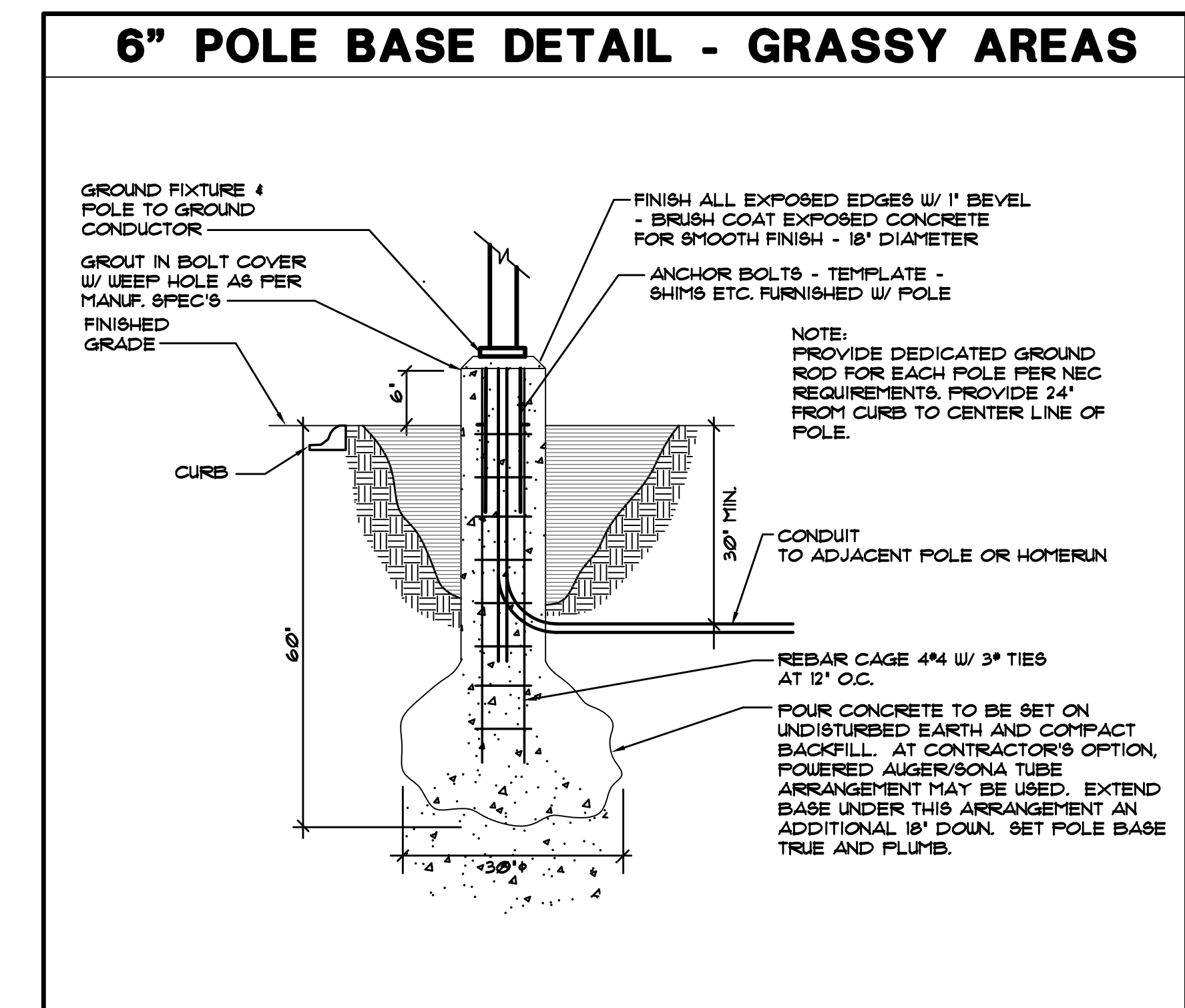


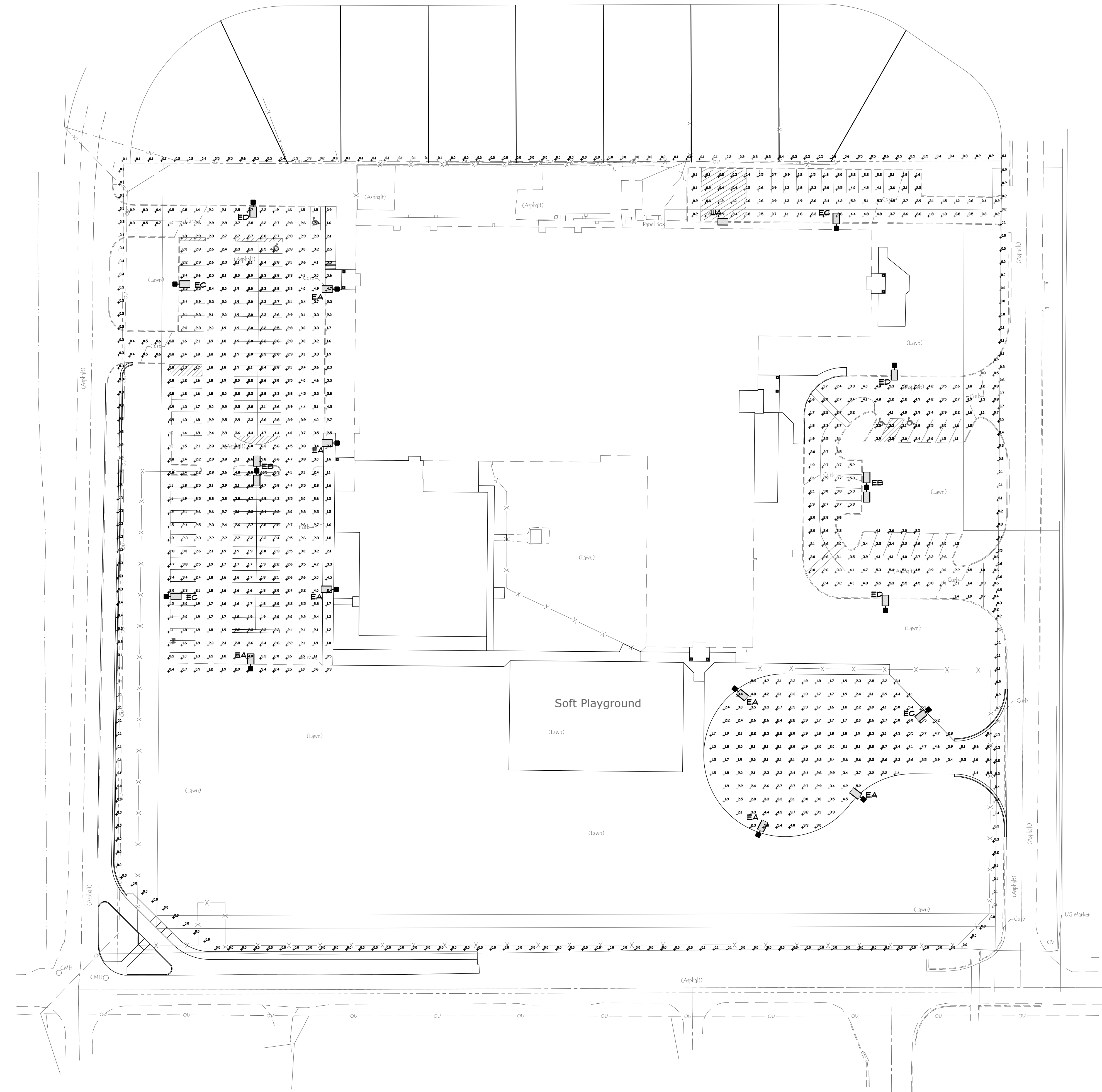
EXTERIOR LIGHTING LUMINAIRE SCHEDULE							
TAG	SYMBOL	DESCRIPTION	MANUFACTURER SERIES OR CATALOG NUMBER	VOLTAGE/BALLAST	LAMPS/CROSS SECTION	MOUNTING	REMARKS
EA	■	EXTERIOR LED FIXTURE MOUNTED ON A STRAIGHT, SQUARE ALUMINUM POLE	LITHONIA D8X2-LED-F5-50K-80CRI-T41 OR APPROVED EQUAL	277 VOLT	LED 5000K MIN 2300LM MAX 180W	POLE HTD 20'-0" ARG 6" CONC. BASE	
EB	■	EXTERIOR LED FIXTURE MOUNTED ON A STRAIGHT, SQUARE ALUMINUM POLE	LITHONIA D8X2-LED-F2-50K-80CRI-T41 OR APPROVED EQUAL	277 VOLT	LED 5000K MIN 2300LM MAX 180W	POLE HTD 20'-0" ARG 6" CONC. BASE	
EC	■	EXTERIOR LED FIXTURE MOUNTED ON A STRAIGHT, SQUARE ALUMINUM POLE	LITHONIA D8X2-LED-F2-50K-80CRI-T21 OR APPROVED EQUAL	277 VOLT	LED 5000K MIN 2300LM MAX 180W	POLE HTD 20'-0" ARG 6" CONC. BASE	
ED	■	EXTERIOR LED FIXTURE MOUNTED ON A STRAIGHT, SQUARE ALUMINUM POLE	LITHONIA D8X2-LED-F1-50K-80CRI-T41-H6 OR APPROVED EQUAL	277 VOLT	LED 5000K MIN 1300LM MAX 180W	POLE HTD 20'-0" ARG 6" CONC. BASE	
WA	■	EXTERIOR LED WALLPACK	LITHONIA ARC1 LED F2 50K	277 VOLT	LED 5000K MIN 2300LM MAX 11W	POLE HTD 20'-0" ARG 6" CONC. BASE	

Statistics						
Description	Symbol	Avg	Max	Min	Max/Min	Avg/Min
WestParkingLot	+	2.6 fc	10.5 fc	0.2 fc	52.5:1	13.0:1
MidEastLot	+	2.9 fc	5.5 fc	0.2 fc	27.5:1	14.5:1
NorthParkingLot	+	1.9 fc	5.5 fc	0.1 fc	59.0:1	19.0:1
PropertyLine	+	0.2 fc	0.7 fc	0.0 fc	N/A	N/A
SouthEastDropOff	+	2.8 fc	6.0 fc	0.4 fc	15.0:1	7.0:1



GENERAL NOTES

1. ALL CONDUIT BEYOND THE DISTURBED FIELD AREA AND BELOW EXISTING PAVEMENT TO REMAIN SHALL BE DIRECTIONAL BORED.

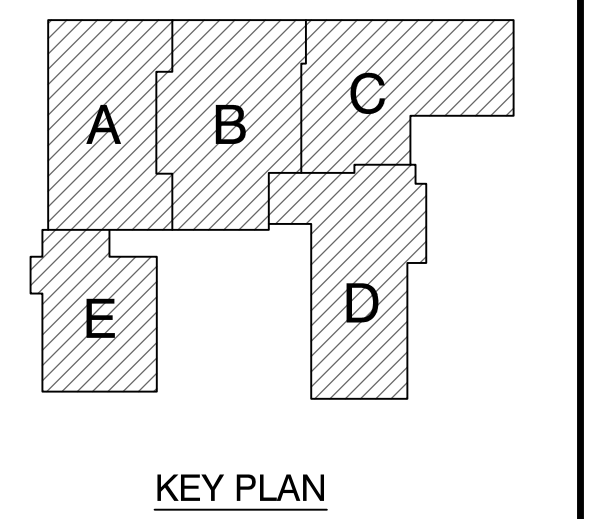


SITE PLAN - PHOTOMETRICS
SCALE: 1" = 40'-0"



PROJECT
HARNEY ELEMENTARY SCHOOL - ADDITIONS & RENOVATIONS
LEBANON COMMUNITY SCHOOL CORPORATION
LEBANON, INDIANA

PRELIMINARY
Plotted: March 6, 2023
NOT FOR CONSTRUCTION



GIBRALTAR DESIGN
9102 N. Meridian St., Ste. 300
Indianapolis, IN 46260
Homepage: www.GibraltarDesign.com
Email: info@GibraltarDesign.com
Phone: 317.580.5777 Fax: 317.580.5778

PROJECT: 22-134
DATE: 03/06/23
COORDINATED BY: SM
DRAWN BY:
CHECKED BY: DJ

COPYRIGHT NOTICE:
THE CONCEPTS, DESIGN, PLANS, DETAILS, ETC. SHOWN ON THIS DOCUMENT ARE THE PROPERTY OF GIBRALTAR DESIGN AND WERE CREATED FOR USE ON THIS SPECIFIC PROJECT. NONE OF THIS INFORMATION SHALL BE USED BY ANY PERSON OR FIRM FOR ANY PURPOSE WITHOUT THE EXPRESS WRITTEN CONSENT OF GIBRALTAR DESIGN. THE OWNER MAY RETAIN COPIES FOR INFORMATION AND REFERENCE IN CONNECTION ONLY WITH THIS PROJECT.

REVISIONS		
MARK	DATE	ISSUED FOR

DRAWING
SITE PLAN - PHOTOMETRICS

PROJECT
HARNEY ES - ADDITIONS & RENOVATIONS

© GIBRALTAR DESIGN SHEET
E-000

PRELIMINARY
NOT FOR CONSTRUCTION