



City of Lebanon - Downtown Streetscape

SUBMITTAL #21

Prime Contractor:

White Construction, Inc.
361 Ridge Pointe Drive
Carmel, IN 46032

Subcontractor:

Supplier:

Streetscape Products
3494 East Base Road
Greensburg, IN 47240

Manufacturers:

Victor Stanley

<input checked="" type="checkbox"/> No Exceptions Taken	<input type="checkbox"/> Revise and Resubmit
<input type="checkbox"/> Exceptions Noted	<input type="checkbox"/> Rejected

Our limited review is only for conformance with the design concept of the project and general compliance with the information given in our Plans and Specifications. Contractor is responsible for dimensions to be confirmed and correlated at the job site; for information that pertains to the fabrication processes or to techniques of construction; for quantities, for performance, for safety-coordination with other work; and for conformance to the requirements of the plans and specifications. Review does not authorize changes to contract unless stated specifically in separate letter or change order.

KIMLEY-HORN AND ASSOCIATES, INC.

Date 29 May 2018 By Brandon Schreeg

Description of Material:

Victor Stanley Bench and Trash Receptacle

Specification Section:

Section 007300

Drawing #:

Downtown Streetscape / Big 4 Trail

Drawing 119

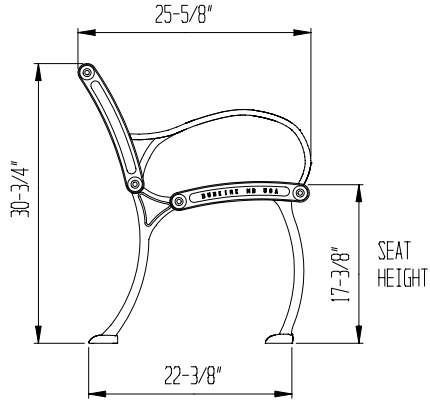
Notes/Concerns:

Submitted via email on May 18, 2018

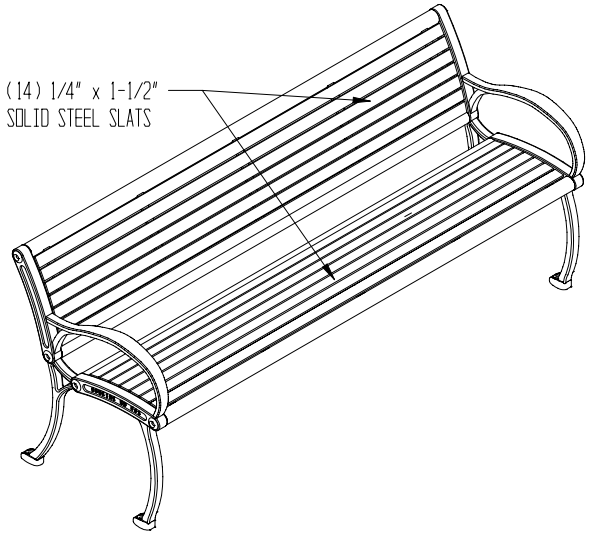


VICTOR STANLEY, INC.
-Manufacturers of Quality Site Furnishings since 1962-

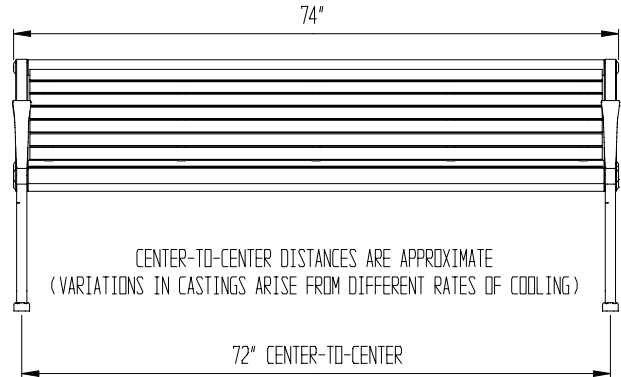
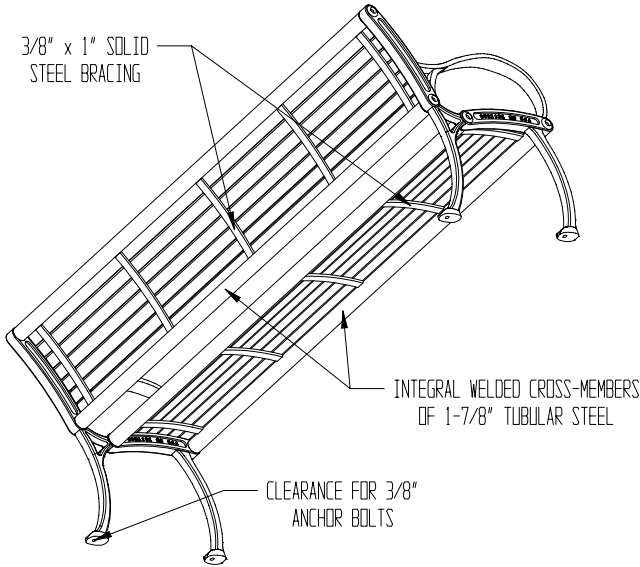
P.O. DRAWER 330 - DUNKIRK, MD 20754 USA
 TOLL FREE: (800) 368-2573 (USA & CANADA)
 TEL (301) 855-8300 - FAX (410) 257-7579
 WEB SITE: HTTP://WWW.VICTORSTANLEY.COM



(14) 1/4" x 1-1/2"
 SOLID STEEL SLATS



3/8" x 1" SOLID
 STEEL BRACING



AVAILABLE OPTIONS:

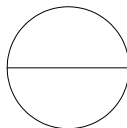
- POWDER COATING
- 10 STANDARD COLORS, CUSTOM COLORS (INCLUDING THE RAL RANGE)
- INTERMEDIATE & CENTER ARMRESTS
- 4', 6', & 8' OPTIONAL ARMRESTS

LENGTHS

- STANDARD 4'
- STANDARD 6' LENGTH SHOWN
- STANDARD 8'

NOTES:

1. DUCTILE IRON CASTINGS COME WITH A TEN YEAR WARRANTY AGAINST BREAKAGE.
2. DRAWING NOT TO SCALE. DO NOT SCALE DRAWINGS.
3. ALL FABRICATED METAL COMPONENTS ARE STEEL SHOTBLASTED, ETCHED, PHOSPHATIZED, PREHEATED, AND ELECTROSTATICALLY POWDER-COATED WITH T.G.I.C. POLYESTER POWDER COATINGS. PRODUCTS ARE FULLY CLEANED AND PRETREATED, PREHEATED AND COATED WHILE HOT TO FILL CREVICES AND BUILD COATING FILM. COATED PARTS ARE THEN FULLY CURED TO COATING MANUFACTURER'S SPECIFICATIONS. THE THICKNESS OF THE RESULTING FINISH COAT AVERAGES 8-10 MILS (200-250 MICRONS).
4. IT IS NOT RECOMMENDED TO LOCATE ANCHOR BOLTS UNTIL BENCH IS IN PLACE. THIS VICTOR STANLEY, INC. PRODUCT MUST BE PERMANENTLY AFFIXED TO THE GROUND. CONSULT YOUR LOCAL CODES FOR REGULATIONS.
5. ANCHOR BOLTS NOT PROVIDED BY VICTOR STANLEY, INC.
6. FOR HIGH SALT ABUSIVE CLIMATES, HOT DIP GALVANIZING BEFORE POWDER COATING IS AVAILABLE. SEE WRITTEN SPECIFICATIONS FOR DETAILS.
7. ALL SPECIFICATIONS ARE SUBJECT TO CHANGE. CONTACT MANUFACTURER FOR DETAILS.
8. THIS PRODUCT IS SHIPPED PARTIALLY UNASSEMBLED.



FMBF-324

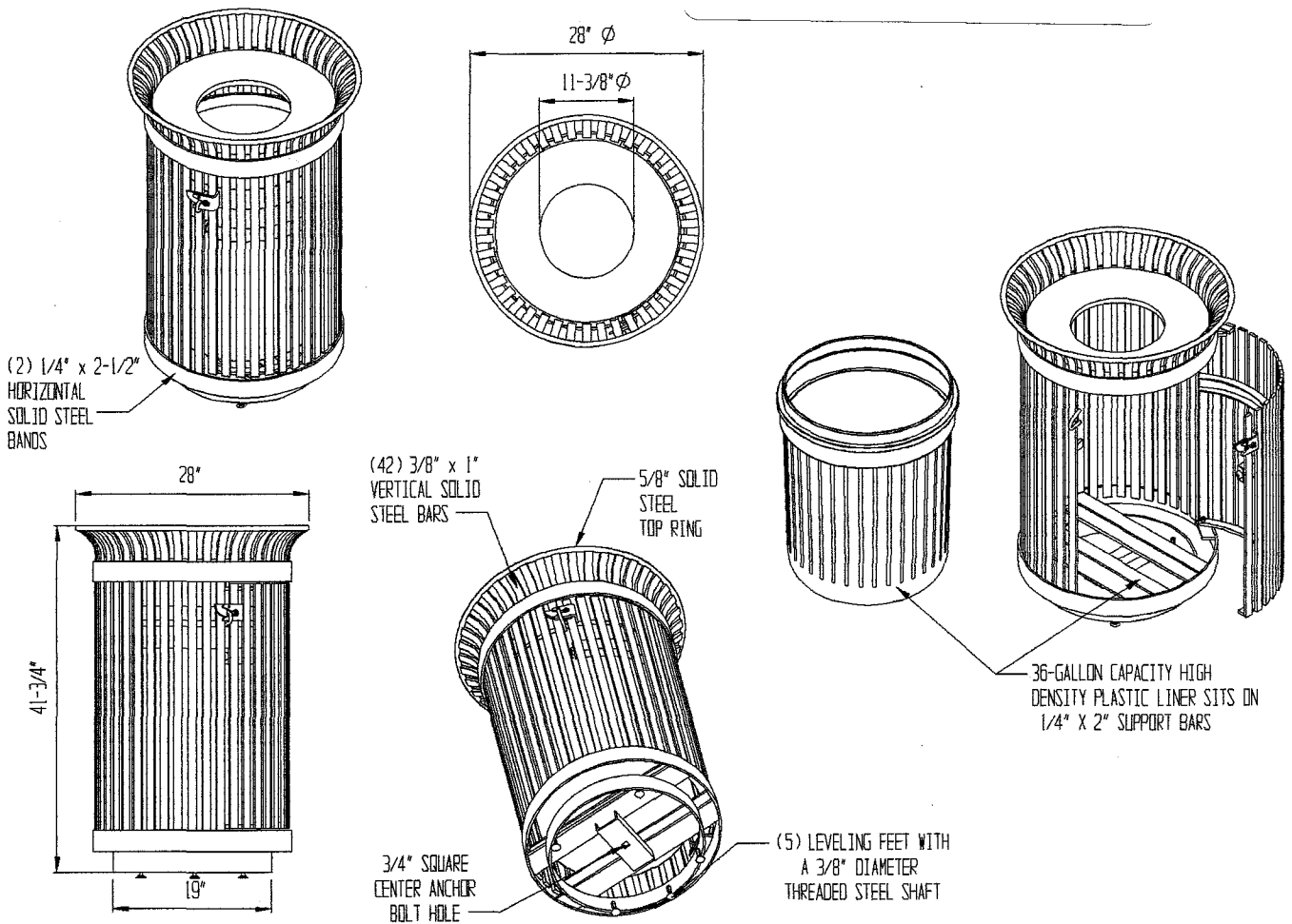
FRAMERS MODERN™ SERIES

STANDARD HORIZONTAL STEEL SLAT BENCH WITH DUCTILE IRON END FRAMES
 SHOWN: STANDARD 6-FOOT LENGTH



VICTOR STANLEY, INC.
-Manufacturers of Quality Site Furnishings since 1962-

Streetscape Products Ltd.
 3494 E. Base Rd.
 Greensburg, IN 47240
 Toll Free 866-662-9944



AVAILABLE OPTIONS:

POWDER COATING

10 STANDARD COLORS, CUSTOM COLORS (INCLUDING THE RAL RANGE)

CUSTOM PLAQUES & DECALS

AVAILABLE WITH STEEL PLAQUES IN VARIOUS SIZES AND PRESSURE SENSITIVE VINYL OUTDOOR DECALS.

LIDS

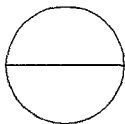
SHOWN WITH STANDARD TAPERED FORMED RIVETED LID. AVAILABLE WITH OPTIONAL S-2ASD FORMED DOME, S-2ASD FORMED DOME WITH STAINLESS STEEL ASHTRAY, AND DS-32 FORMED DOME W/ SELF CLOSING DOOR

SECURITY

SHOWN WITH STANDARD LOCKABLE LATCH AVAILABLE WITH OPTIONAL KEYED LOCK BOX. LID RIVETED IN PLACE.

NOTES:

1. DRAWINGS NOT TO SCALE. DO NOT SCALE DRAWINGS.
2. ALL FABRICATED METAL COMPONENTS ARE STEEL SHOTBLASTED, ETCHED, PHOSPHATIZED, PREHEATED, AND ELECTROSTATICALLY POWDER-COATED WITH T.G.I.C. POLYESTER POWDER COATINGS. PRODUCTS ARE FULLY CLEANED AND PRETREATED, PREHEATED AND COATED WHILE HOT TO FILL CREVICES AND BUILD FILM COATING. COATED PARTS ARE THEN FULLY CURED TO COATING MANUFACTURER'S SPECIFICATIONS. THE THICKNESS OF THE RESULTING FINISH COAT AVERAGES 8-10 MILS (200-250 MICRONS).
3. DLITE BRONZE BEARINGS AND STAINLESS STEEL PIVOT PINS FOR DOOR MOVEMENT, STANDARD 1/4" SOLID STEEL LATCH ASSEMBLY OR OPTIONAL PATENTED STAINLESS STEEL KEYED LOCK ASSEMBLY.
4. THIS VICTOR STANLEY, INC. PRODUCT MUST BE PERMANENTLY AFFIXED TO THE GROUND. CONSULT YOUR LOCAL CODES FOR REGULATIONS.
5. ANCHOR BOLTS PROVIDED BY OTHERS.
6. FOR HIGH SALT ABUSIVE CLIMATES, HOT DIP GALVANIZING BEFORE POWDER COATING IS AVAILABLE. SEE WRITTEN SPECIFICATIONS FOR DETAILS.
7. THIS PRODUCT IS SHIPPED FULLY ASSEMBLED



SD-42

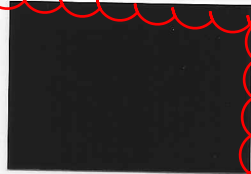
IRONSITES® SERIES 36-GALLON SIDE-DOOR-OPENING LITTER RECEPTACLE
 SHOWN: STANDARD TAPERED FORMED RIVETED LID

COPYRIGHT 2003 VICTOR STANLEY, INC. ALL RIGHTS RESERVED

REV. 8/7/03 DRAWN C.D.B.



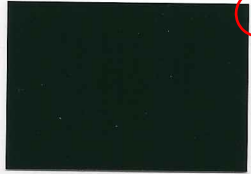
Standard Powder Coating Colors



Bronze



Black



Green



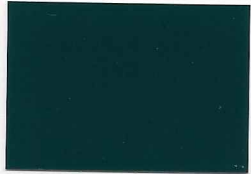
Tavern Square Green



Burgundy



Blue



Teal



Red

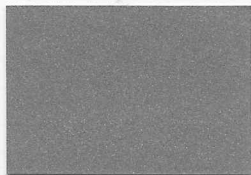


White



Gray

Optional Metallics



Optional Silver



Optional Titanium

These 12 TGIC polyester powder coating colors are offered by Victor Stanley, Inc. We reserve the right to change our color selection at any time. The above colors are close approximations of actual powder coating colors. Contact the factory for details.