



SIGNWORKS

5349 W 86th Street - Indianapolis, IN 46268
317|872|8722
SignworksThinks.com

These drawings and/or the accompanying specifications as instruments of service are the exclusive property of Signworks, Inc. and their use and publication shall be restricted to the original site for which they were prepared. Reuse, reproduction or publication by any method, in whole or part, is prohibited except by written authorization from Signworks, Inc. Copyright and ownership of these plans and/or specifications shall remain with the designer without prejudice and visual contact with them shall constitute Prima Facie Evidence of these restrictions. Signworks, Inc. shall be entitled to further compensation equal to one hundred and fifty (150%) of the original project fee, the total cost of production and installation per occurrence, and the reasonable costs of collection for any unauthorized use of these drawings and/or specifications or any derivative works thereof.

The City of Lebanon Downtown Streetscape Signage

Date: 06.26.2018

Sales Manager: Nick Larsen

Designers: Nelson / Mike Harmon

PROJECT PHASE

DEVELOPMENT

APPROVED

PROJECT DETAILS

Color Swatch:



OTHER:

NA

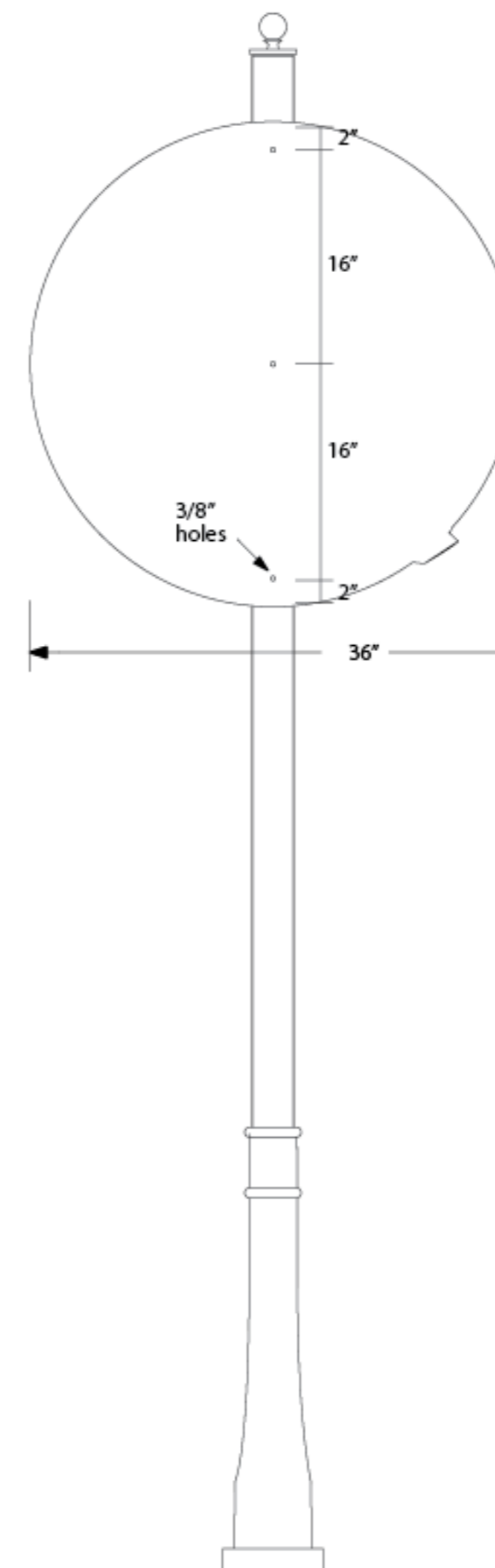
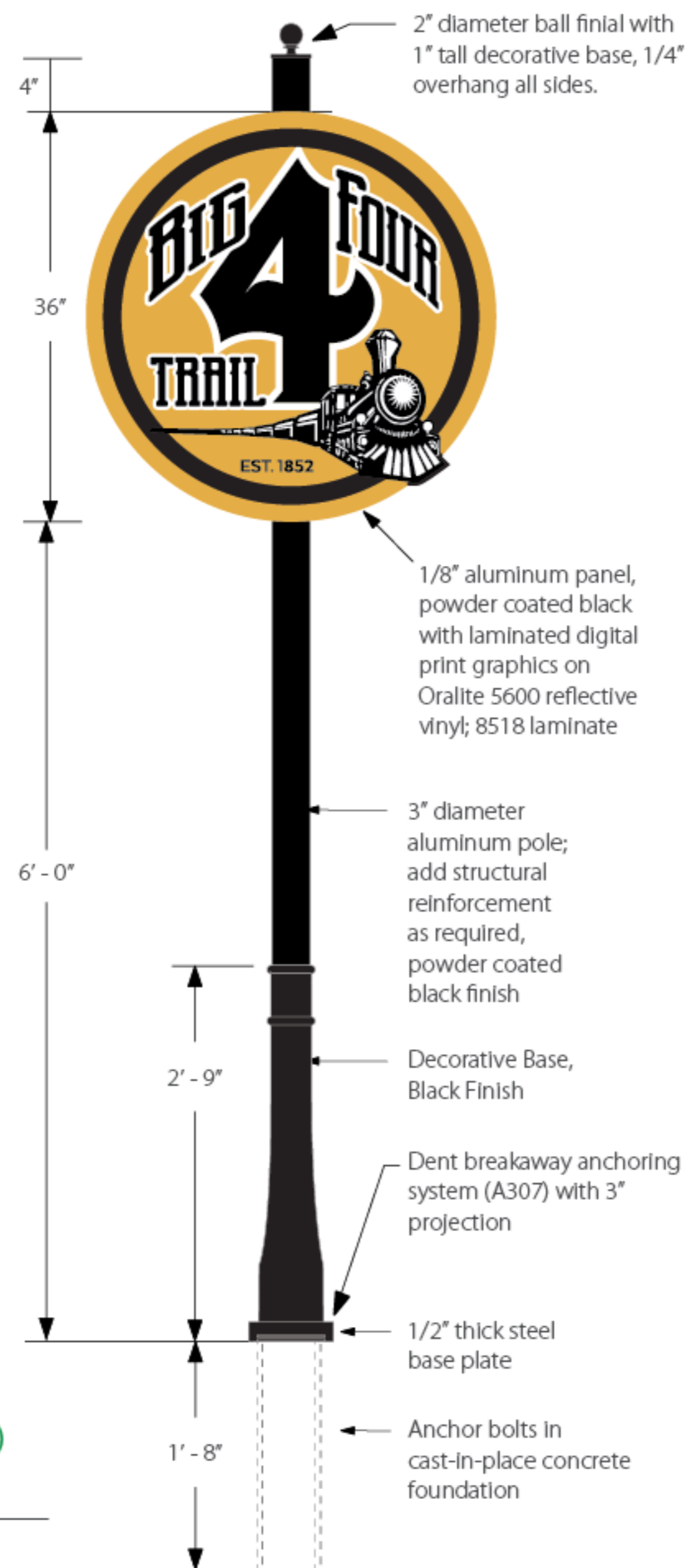
INSTALL NOTES:

Post and Panels are powder coated black. Direct burial install with concrete.

Customer Approval Signature

Date:

SHEET. 01



Qty. 1
Double Sided
(Double Panel)

01 TRAILHEAD SIGN
SCALE: 1"= 1 ft